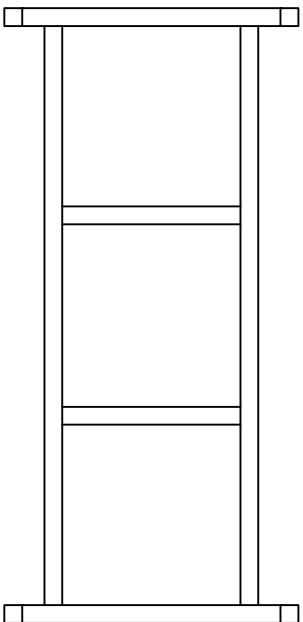
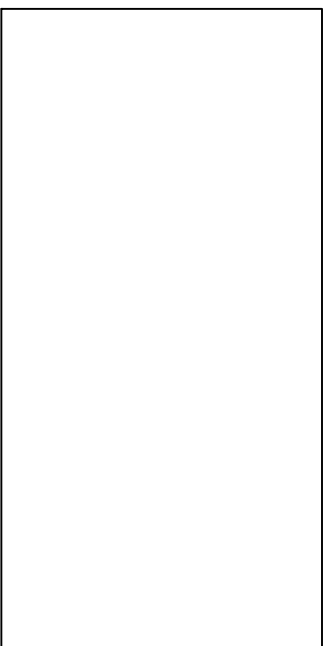


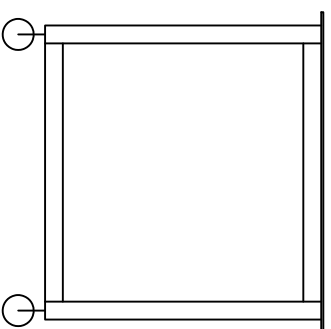
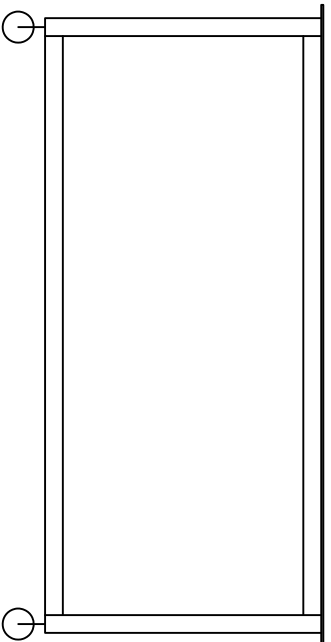
Top frame



Bottom frame
(Supports 2' x 6' shelf)



Top surface (3' x 6')



~36" working surface height
w/ $\frac{1}{4}$ " thick steel top for welding
or $\frac{3}{4}$ " MDF top for assembly/general use